



MICO Elite Range

High Security Single Point Latching Range, offering a multitude of functions including Panic and Emergency Escape, Mechanical, Automatic operation and Electro-Mechanical Deadlocking options.



LPS 1175

BSEN 179

BSEN 1125

BSEN 1670

1M CYCLES

SBD



The MICO Elite Range has established itself as the most approved Single Point Locking Range for medium security applications. Manufactured from stainless steel as standard the Elite Range offers a robust high security solution for even the harshest environments. Tested and approved on selected single and double doorsets to LPCB SR 2 & 3 and with additional HM Government approvals the MICO Elite Range is the ideal choice where security is paramount. The Elite Range also boasts Panic and Emergency escape functions which carry the latest BS EN 179 and BS EN 1125 accreditations for your added peace of mind.

Customer Care / Installation / Maintenance

At Tindall Engineering we pride ourselves on customer care. Based on trust, we have built up a solid customer base over the years through personal service, bespoke products, arrangements and a highly professional working environment. It doesn't stop with the sale, our site engineers are highly trained meaning we can offer a professional after sales service including installation, maintenance and repair.

Certifications

Security: The Loss Prevention Certification Board LPS1175 SR1, SR2, SR3, SR4, SR5 and SR6



Escape: BS EN 1125:2008 & BS EN 179:2008



Quality:



Elite Range

Technical Overview

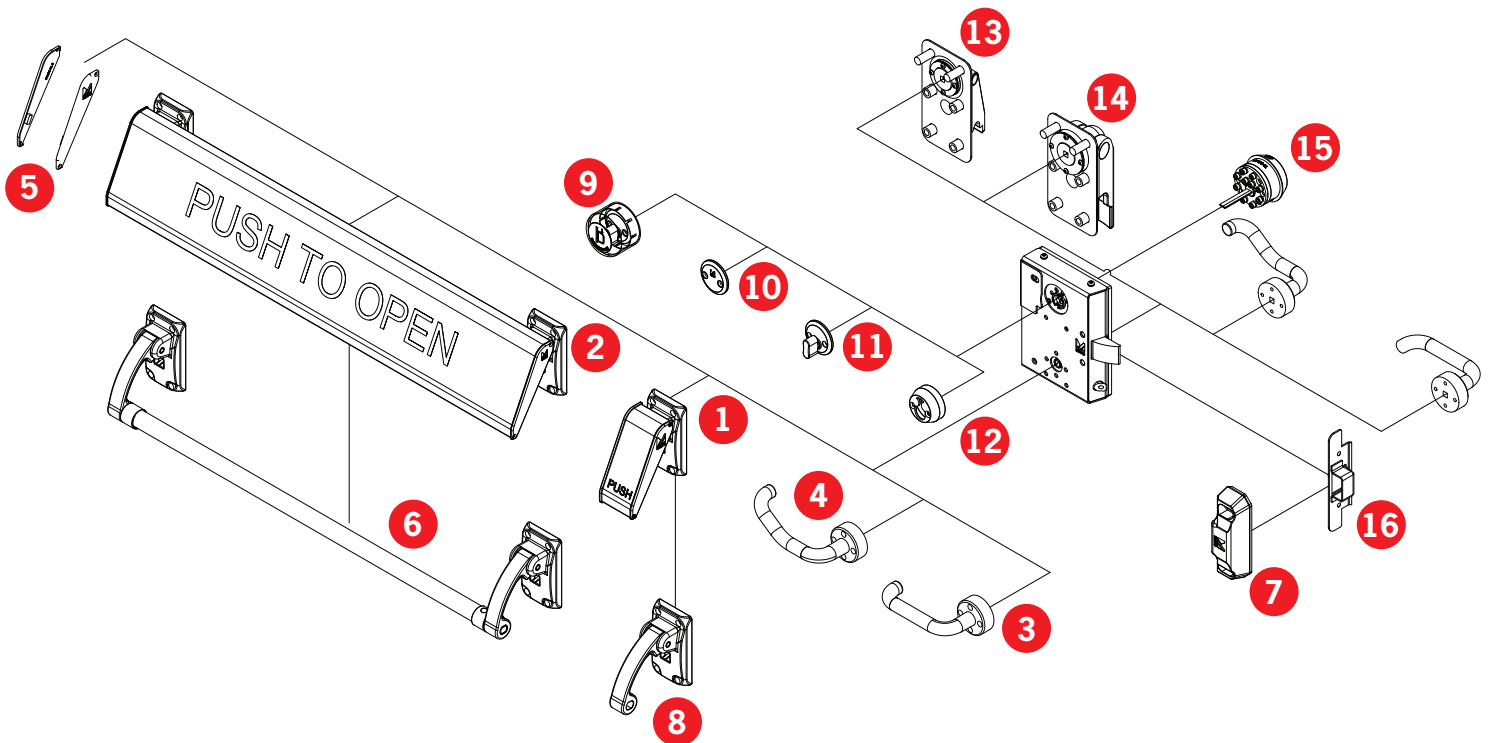
Stainless steel construction as standard.

Dimensions (H) 186mm (W) 140mm.

Standard Push Plate width supplied as 800mm.

Handing – This unit is handed as per diagram below, add code when ordering.

30mm bolt projection, 25mm bolt throw.



- Option 1** - Aluminium push pad
- Option 2** - Aluminium full width push plate
- Option 3** - Heavy duty lever handle
- Option 4** - Heavy duty cranked lever handle
- Option 5** - End Caps
- Option 6** - Stainless steel push bar
- Option 7** - Rim Receiver
- Option 8** - Stainless steel pad
- Option 9** - Thumbturn housed in break dome glass
- Option 10** - Blind rose
- Option 11** - Thumbturn
- Option 12** - Cylinder ring kit
- Option 13** - Hasp & Staple SR2
- Option 14** - Hasp & Staple SR3
- Option 15** - Security cylinder guard
- Option 16** - Standard receiver



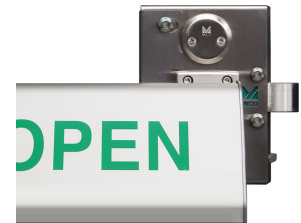
Elite PE

The MICO Elite single point latching range, surface fitted **Panic & Emergency (PE)** devices offers single handed means of escape should an emergency event arise.

Push bar, Push pad, full width push plate and heavy duty lever handle options are all available to meet the mandatory BS EN 179 Emergency escape and BS EN 1125 panic escape standards. An anti-thrust mechanism prevents the bolt from being forced back to open the door.



Elite PE 1



Elite PE 2



Elite PE 3

OPERATION

Entry Method: (Optional) outside access devices (OAD) options available from key driven to pad-lockable devices.

Exit Method: Single action to escape at all times via Push bar, push pad, full width push plate or heavy duty lever handle.

FEATURES

- Tested to over 1,000,000 cycles
- Surface fitted latching system
- Automatic bolting
- Adjustable snib to take up variants in frame gap
- Optional bolt status monitoring

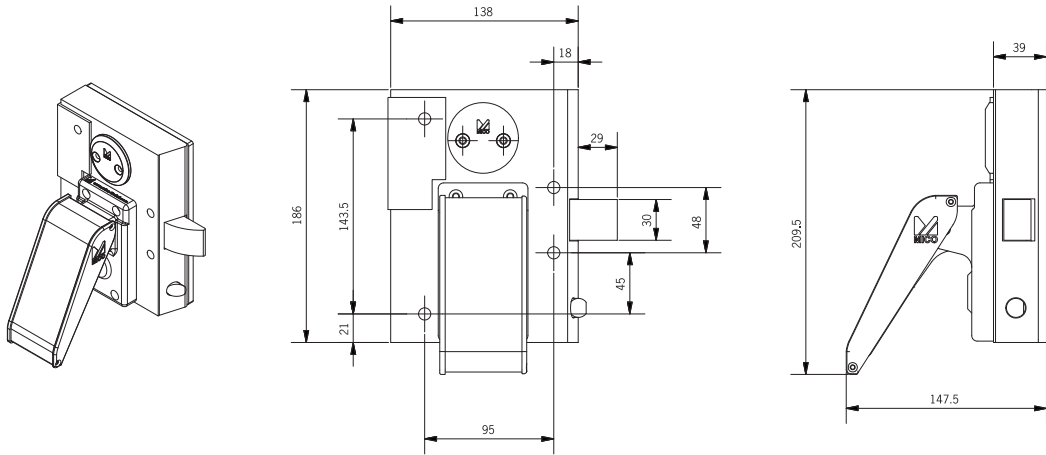
BENEFITS

- Built in anti-thrust mechanism for enhanced security
- Tested and approved up to SR3 (on selected doorsets)
- Emergency escape versions fully tested and certified to BS EN 179:2008 and CE Marked
- Panic escape versions fully tested and certified to BS EN 1125:2008 and CE Marked

Product Performance Chart - Indicates product has been certified or tested & approved as part of a complete doorset assembly																					
TIME	LPCB LPS 1175								ISSUE 7 SR 1-6	FEBR	EN 1627	ST202	SBD	PAS 24	LPS 2081	FIRE	BLAST	BALLISTIC	SAFETY	CORROSION	CYCLES
	ISSUE 8 TOOLS																				
	A	B	C	D	E	F	G	H													
20 Min										RC6	BR3				UL10C			EN 1125	EN1670:GR5	1 million	
15 Min									60 min	RC5						100kg TNT @15m	FB7	EN179	EN1670:GR4	500k	
10 Min									45 Min	RC4	BR2	SBD	PAS 24	SRB	CERTIFIRE		FB6		EN1670:GR3	500k	
5 Min	A5	B5	C5						30 Min	RC3							FB5		EN1670:GR2	200k	
3 Min									15 Min	RC2	BR1				EN		FB4	UL304	EN1670:GR1	200k	
1 Min									5 Min	RC1							FB3				



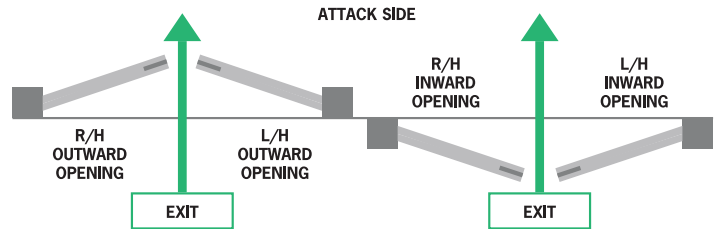
TECHNICAL DRAWINGS



CODING SYSTEM

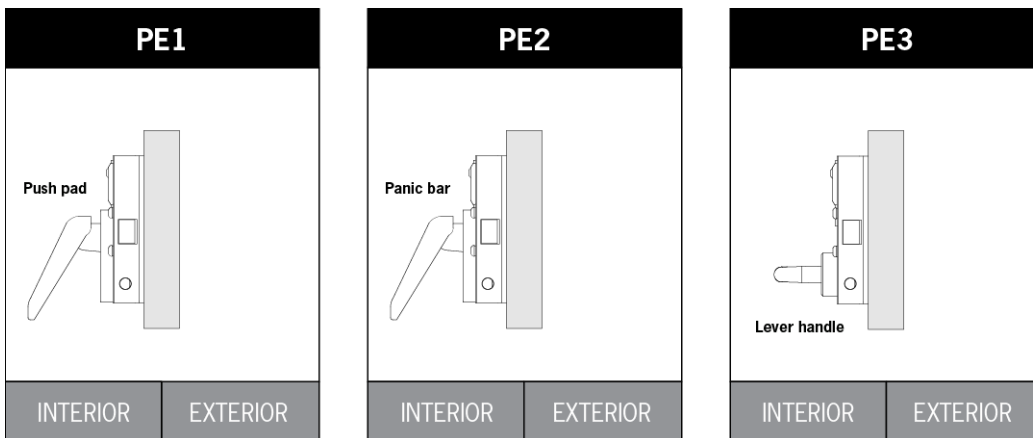
The MICO Elite has a simple code that covers the chosen methods of entry and exit, followed by additional options.

Example Order Code – MICO Elite PE1



Range	Bolts	Exit	Entry	Additional Options
MICO ELITE	1	PE1 - Emergency push pad	-	(BSM) Bolt status micro switch
		PE2 - Panic Full width push plate		
		PE3 - Emergency Heavy duty lever		

EXAMPLE ENTRY/EXIT DIRECTIONS





Elite AD

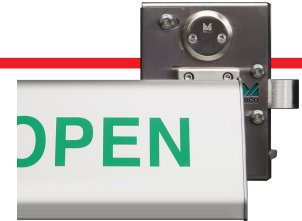
The MICO Elite AD Range of single point, surface fitted latching devices offer **Automatic Deadlocking (AD)** upon door closure with external key access facility.

The AD Range can also be specified with single action to escape (SATE) via Push bar, push pad, full width push plate or heavy duty lever to meet the mandatory BS EN179 Emergency Escape and BS EN 1125 Panic Escape standards.

External key access is available on the AD Range from LPS 1175 SR2 up to SR3 rated cylinder guard protection.



Elite AD 4



Elite AD 2 SATE



Elite AD 3 SATE

OPERATION

Entry Method: Mechanical key entry via external key cylinder and Lever. (To suit Scandinavian Oval Rim Cylinder as standard, Round Rim available on request).

Exit Method: Thumbturn or key cylinder and lever handle or SATE - single action to escape at all times via Push bar, push pad, full width push plate or heavy duty lever handle.

FEATURES

- Tested to over 1,000,000 cycles
- Surface fitted latching system
- Adjustable snib to take up variants in frame gap
- Automatic deadlocking upon door closure
- Optional Bolt & Deadlock status micro-switches

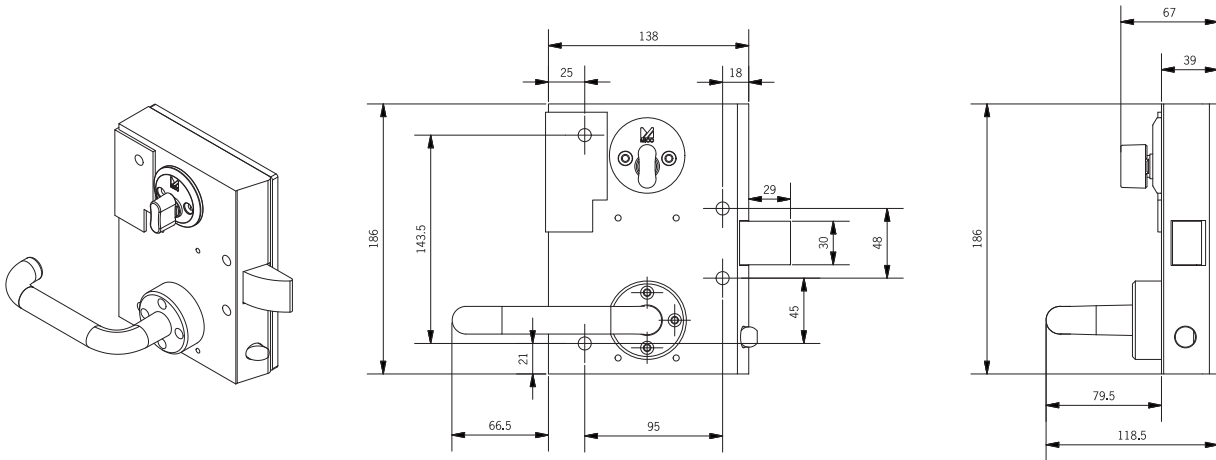
BENEFITS

- Built in anti-thrust mechanism for enhanced security
- Tested and approved up to SR3 (on selected doorsets)
- Emergency escape versions fully tested and certified to BS EN 179:2008 and CE Marked
- Panic escape versions fully tested and certified to BS EN 1125:2008 and CE Marked

Product Performance Chart - Indicates product has been certified or tested & approved as part of a complete doorset assembly																					
TIME	LPCB LPS 1175 ISSUE 8 TOOLS								ISSUE 7 SR 1-6 UPTO SR3	FEBR	EN 1627	ST202	SBD	PAS 24	LPS 2081	FIRE	BLAST	BALLISTIC	SAFETY	CORROSION	CYCLES
	A	B	C	D	E	F	G	H													
20 Min										RC6	BR3					UL10C			EN 1125	EN1670:GR5	1 million
15 Min									60 min	RC5							100kg TNT @15m	FB7	EN 179	EN1670:GR4	500k
10 Min									45 Min	RC4	BR2	SBD	PAS 24	SRB				FB6		EN1670:GR3	200k
5 Min	A5	B5	C5						30 Min	RC3								FB5		EN1670:GR2	
3 Min									15 Min	RC2	BR1							FB4	UL304	EN1670:GR1	
1 Min									5 Min	RC1								FB3			



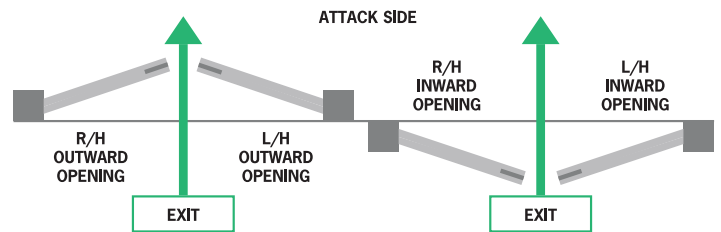
TECHNICAL DRAWINGS



CODING SYSTEM

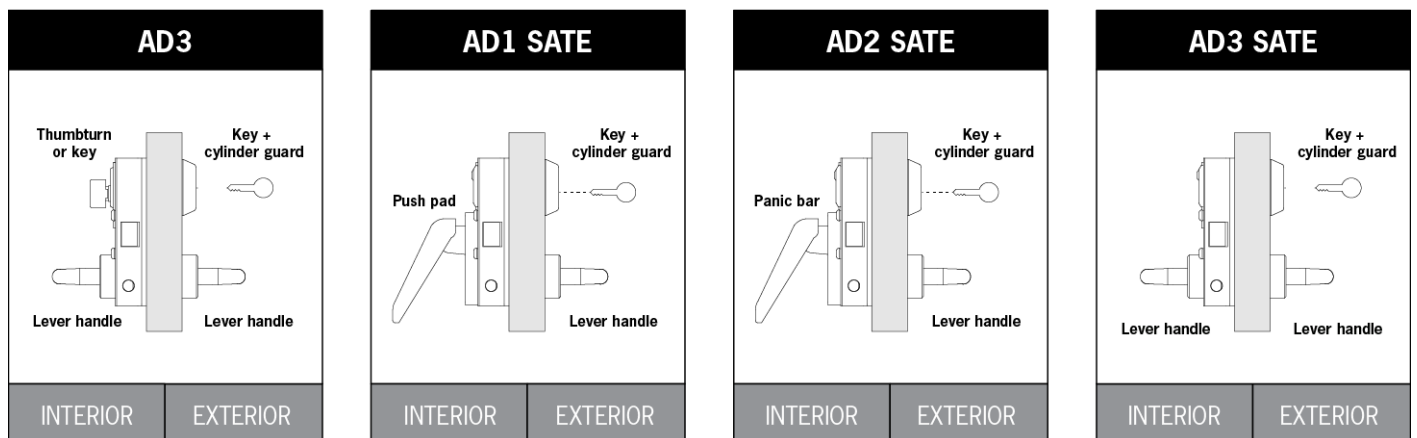
The MICO Elite has a simple code that covers the chosen methods of entry and exit, followed by additional options.

Example Order Code – MICO Elite AD4



Range	Bolts	Exit	Entry	Additional Options
MICO ELITE	1	AD4 – Thumbturn & Lever	Key & lever	USCH2
		AD1 SATE – Push Pad		
		AD2 SATE – Push Plate		USCH3
		AD3 SATE – Heavy duty Lever		

EXAMPLE ENTRY/EXIT DIRECTIONS





Elite MD

The MICO ELITE MD Range of single point, surface fitted latching devices offers **Manual Deadlocking (MD)** operation, permitting free passage during working hours and deadlocking via key or thumbturn at the close of the business.

The MD Range can also be specified with single action to escape (SATE) via Push bar, push pad, full width push plate or heavy duty lever to meet the mandatory BS EN 179 Emergency Escape and BS EN 1125 Panic Escape standards.

External key access is available on the MD Range from LPS 1175 SR2 up to SR3 rated cylinder guard protection.



Elite MD 3



Elite MD 3 SATE

OPERATION

Entry Method: Mechanical key entry via external key cylinder and Lever. (To suit Scandinavian Oval Rim Cylinder as standard, Round Rim available on request).

Exit Method: Thumbturn or key cylinder and lever handle or SATE - single action to escape at all times via Push bar, push pad, full width push plate or heavy duty lever handle.

FEATURES

- Tested to over 1,000,000 cycles
- Surface fitted latching system
- Adjustable snib to take up variants in frame gap
- Manual deadlocking upon door closure
- Optional Bolt & Deadlock status micro-switches

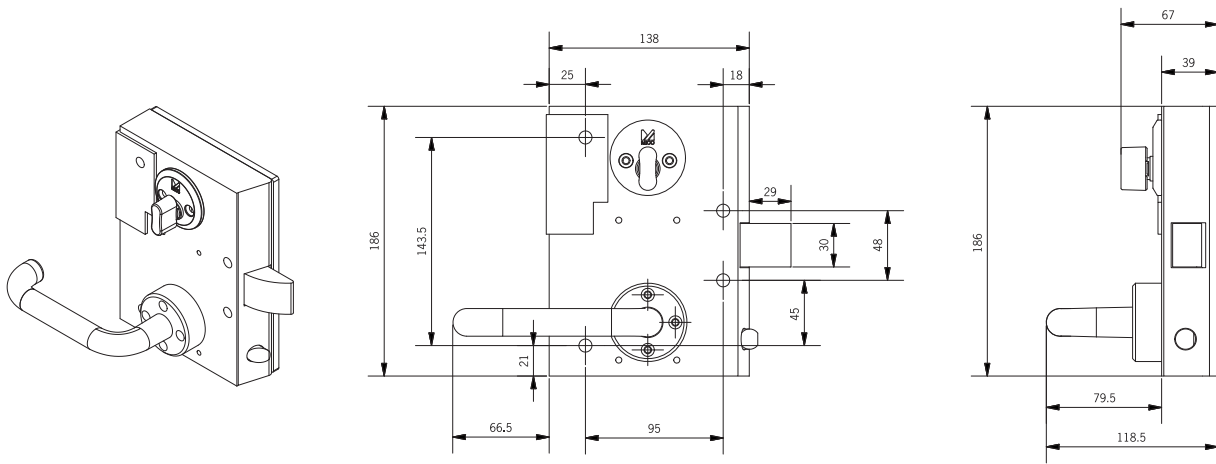
BENEFITS

- Built in anti-thrust mechanism for enhanced security
- Tested and approved up to SR3 (on selected doorsets)
- Emergency escape versions fully tested and certified to BS EN 179:2008 and CE Marked
- Panic escape versions fully tested and certified to BS EN 1125:2008 and CE Marked

Product Performance Chart - Indicates product has been certified or tested & approved as part of a complete doorset assembly																					
TIME	LPCB LPS 1175								ISSUE 7 SR 1-6	FEBR	EN 1627	ST202	SBD	PAS 24	LPS 2081	FIRE	BLAST	BALLISTIC	SAFETY	CORROSION	CYCLES
	ISSUE 8 TOOLS																				
	A	B	C	D	E	F	G	H													
20 Min										RC6	BR3				UL10C			EN 1125	EN1670:GR5	1 million	
15 Min									60 min	RC5						100kg TNT @15m	FB7	EN179	EN1670:GR4	500k	
10 Min									45 Min	RC4	BR2	SBD	PAS 24	SRB	CERTIFIRE		FB6		EN1670:GR3	200k	
5 Min	A5	B5	C5						30 Min	RC3					EN		FB5		EN1670:GR2		
3 Min									15 Min	RC2	BR1						FB4	UL304	EN1670:GR1		
1 Min									5 Min	RC1							FB3				



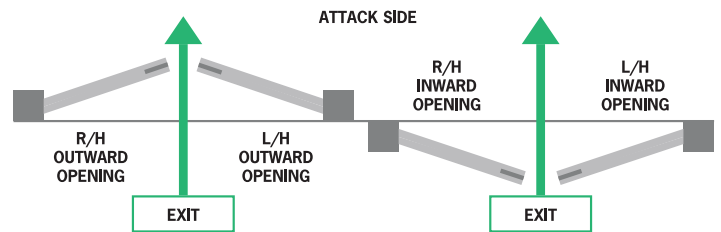
TECHNICAL DRAWINGS



CODING SYSTEM

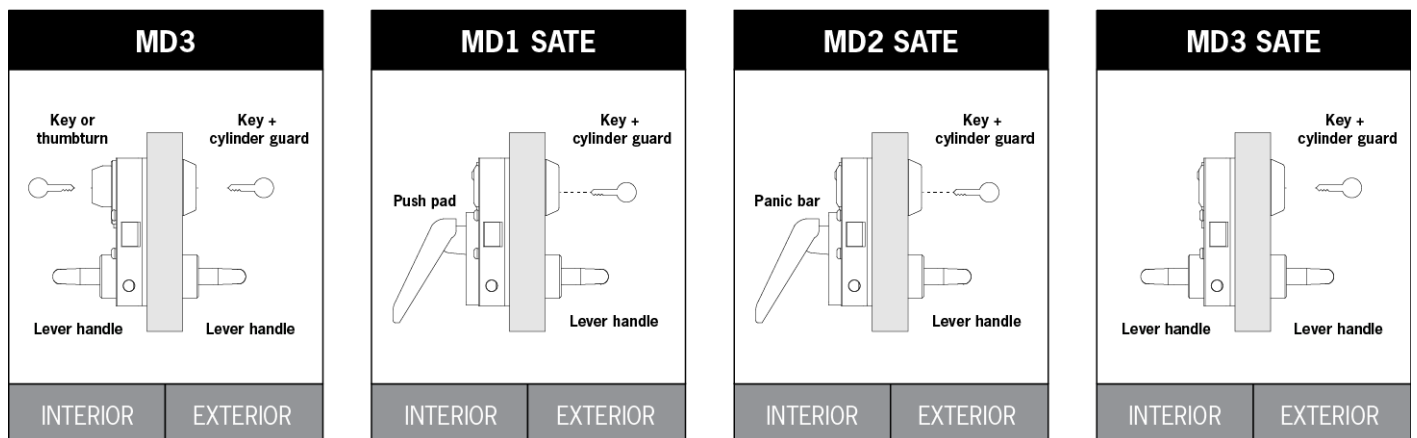
The MICO Elite has a simple code that covers the chosen methods of entry and exit, followed by additional options.

Example Order Code – MICO Elite MD3



Range	Bolts	Exit	Entry	Additional Options
MICO ELITE	1	MD3 – Key Cylinder Thumbturn & Lever	Key & lever	USCH2
		MD1 SATE – Push Pad		
		MD2 SATE – Push Plate		USCH3
		MD3 SATE – Heavy duty lever		

EXAMPLE ENTRY/EXIT DIRECTIONS





Elite EM

The MICO Elite Em Range of single point, surface fitted, fail secure **Electro-Mechanical (EM)** locking devices are suitable for use with all proprietary 12v access control system application where high security is an important consideration.

The EM Range can be specified in either a swipe in/swipe out access control configuration or with in and internal single action to escape (SATE) via Push bar, push pad, full width plate or heavy duty lever to meet the mandatory BS EN 179 Emergency Escape and BS EN 1125 Panic Escape standards.

External mechanical key override is provided as standard on the EM Range from LPS 1175 SR2 up to SR3 rated cylinder guard protection.



Elite EM 3



Elite EM 3 SATE



Elite EM 1 SATE

OPERATION

Entry Method: Swipe in access control with heavy duty lever handle. Mechanical key override fitted as standard.

Exit Method: Swipe out access control with heavy duty lever handle plus mechanical breakdome/thumbturn/lever override function. Optional SATE - single action to escape at all times via push bar, push pad, full width push plate or heavy duty lever handle.

FEATURES

- Tested to over 1,000,000 cycles
- Surface fitted latching system
- Adjustable snib to take up variants in frame gap
- Electro-mechanical locking
- Optional Bolt & Deadlock status micro-switches

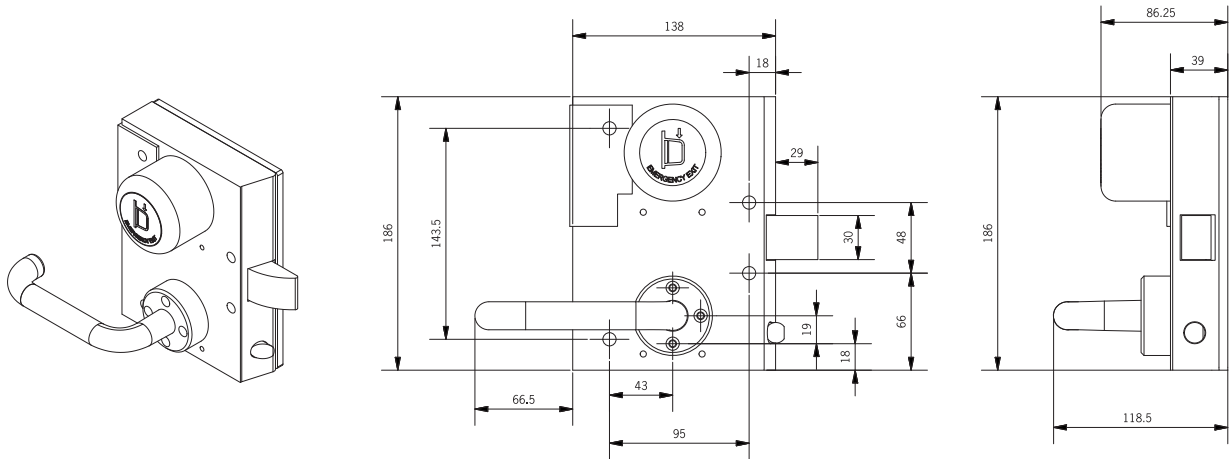
BENEFITS

- Built in anti-thrust mechanism for enhanced security
- Tested and approved up to SR3 (on selected doorsets)
- Emergency escape versions fully tested and certified to BS EN 179:2008 and CE Marked
- Panic escape versions fully tested and certified to BS EN 1125:2008 and CE Marked

Product Performance Chart - Indicates product has been certified or tested & approved as part of a complete doorset assembly																					
TIME	LPCB LPS 1175								ISSUE 7 SR 1-6	FEBR	EN 1627	ST202	SBD	PAS 24	LPS 2081	FIRE	BLAST	BALLISTIC	SAFETY	CORROSION	CYCLES
	ISSUE 8 TOOLS																				
	A	B	C	D	E	F	G	H													
20 Min										RC6	BR3				UL10C				EN 1125	EN1670:GR5	1 million
15 Min									60 min	RC5						100kg TNT @15m	FB7		EN179	EN1670:GR4	500k
10 Min									45 Min	RC4	BR2				CERTIFIRE		FB6			EN1670:GR3	200k
5 Min	A5	B5	C5						30 Min	RC3		SBD	PAS 24	SRB			FB5			EN1670:GR2	
3 Min									15 Min	RC2	BR1				EN		FB4		UL304	EN1670:GR1	
1 Min									5 Min	RC1							FB3				



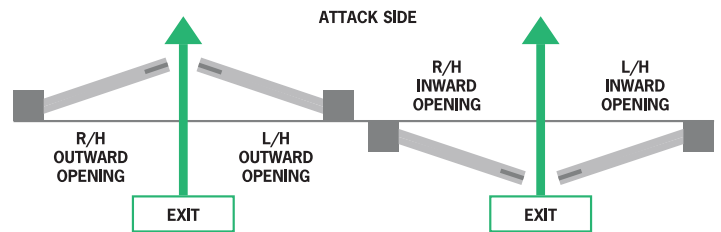
TECHNICAL DRAWINGS



CODING SYSTEM

The MICO Elite has a simple code that covers the chosen methods of entry and exit, followed by additional options.

Example Order Code – MICO Elite EM3



Range	Bolts	Exit	Entry	Additional Options
MICO ELITE	1	EM3 – Access Control & Lever	Key & lever	USCH2
		EM1 SATE – Push Pad		
		EM2 SATE – Push Plate		USCH3
		EM3 SATE – Heavy duty lever		

EXAMPLE ENTRY/EXIT DIRECTIONS

EM3		EM1 SATE		EM2 SATE		EM3 SATE	
INTERIOR	EXTERIOR	INTERIOR	EXTERIOR	INTERIOR	EXTERIOR	INTERIOR	EXTERIOR



Assessed to ISO 9001
LPCB Cert. No. 608

Tindall Engineering Ltd
Unit 8, Laurel Trading Estate,
Higginshaw Lane,
Royton, Oldham,
OL2 6LH
United Kingdom

+44 (0)161 620 0666
sales@mico-tindall.com
www.mico-tindall.com